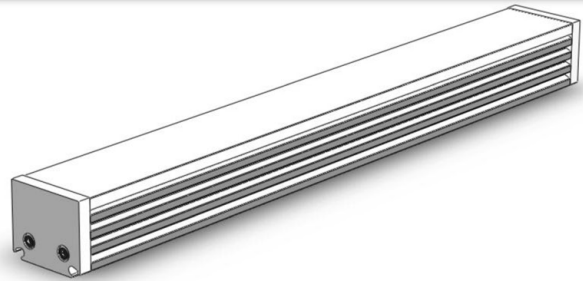




M109 D LINEAR LED LIGHT



Benefits

- Plug & Play Installation
- Cable length from PS up to 100 feet.
- No variance in color temperature or light output.
- No UV radiation
- Full customization
- High efficiency
- Usable for both mood and task lighting.
- No assembly required
- Small Foot-print

Features

- Seamless and fully dimmable.
- Color temperature changing feature when dimming.
- Continuous fixture length up to 10 feet.
- Programmable color temperature (CCT) pre and post installation to match decor.
- Wide, Medium, and Narrow beam angle option.
- No LED hotspots
- No multiple shadows



SPECIFICATIONS

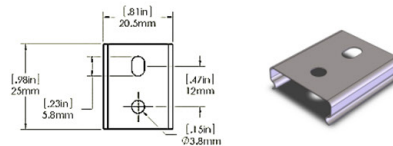
SPECIFICATIONS	M109 D
Housing	Clear Anodized Aluminum
Style	Straight or Tapered Profile
Dimensions	0.86" x 1.0" x [Custom]" [H x W x L]
Length	Up to 96" in 2" increments (continuous)
Weight	7.5 oz/ft
Environment	Indoor
Mounting	Spring Clip
Light cover	Frosted Polycarbonate Diffuser
Input voltage	Low Voltage, 24 VDC
Power Supply	Energy Savings Technology PCU M109 100W Class II
Wattage	6 - 10 W/ft
Efficacy	50 Lm/W
Cable on Light	EST 20/4 gauge, Male Connector
Cable from PCU to Light	EST 20/4 gauge, Female Connector
LED	EST light engine
Color temperature (CCT)	2700 to 3500 K [Pre/Post Adjustable]
Color Rendering Index (CRI)	>85 typ
Lumen output	300 - 500 Lm/ft
Beam angle	Wide / Medium / Narrow
Light beam	Soft Edged
Dimming	Seamless & Fully dimmable
Life Time	40,000 Hrs
Warranty	3 Years

DIMENSIONS

M109 D - S (Straight Profile)		M109 D - T (Tapered Profile)	
No mounting Clip	Incl. Mounting Clip	No mounting Clip	Incl. Mounting Clip
*mm [Inches]			

MOUNTING

Spring Clip mounted for easy installation.



DIMMER COMPATIBILITY

Dimmer Type	Dimming level
Lutron Wall Dimmer DVELV	2-100%
Lutron Graphic Eye PHPM-PA	2-100%
Lutron Home Works HW-RPM-4A	2-100%

* Do **NOT** use Lutron CFL/LED dimmer

CONNECTOR

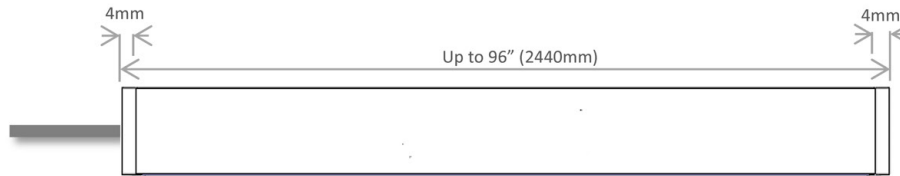
	On M109 (Female)	PCU to Light (Male)	Connected
Length	1.4"	1.5"	2.6" [66mm]
Diameter Ø	0.41"	0.42"	0.42" [11mm]



M109 D LINEAR LED LIGHT

M109 LENGTH INFO

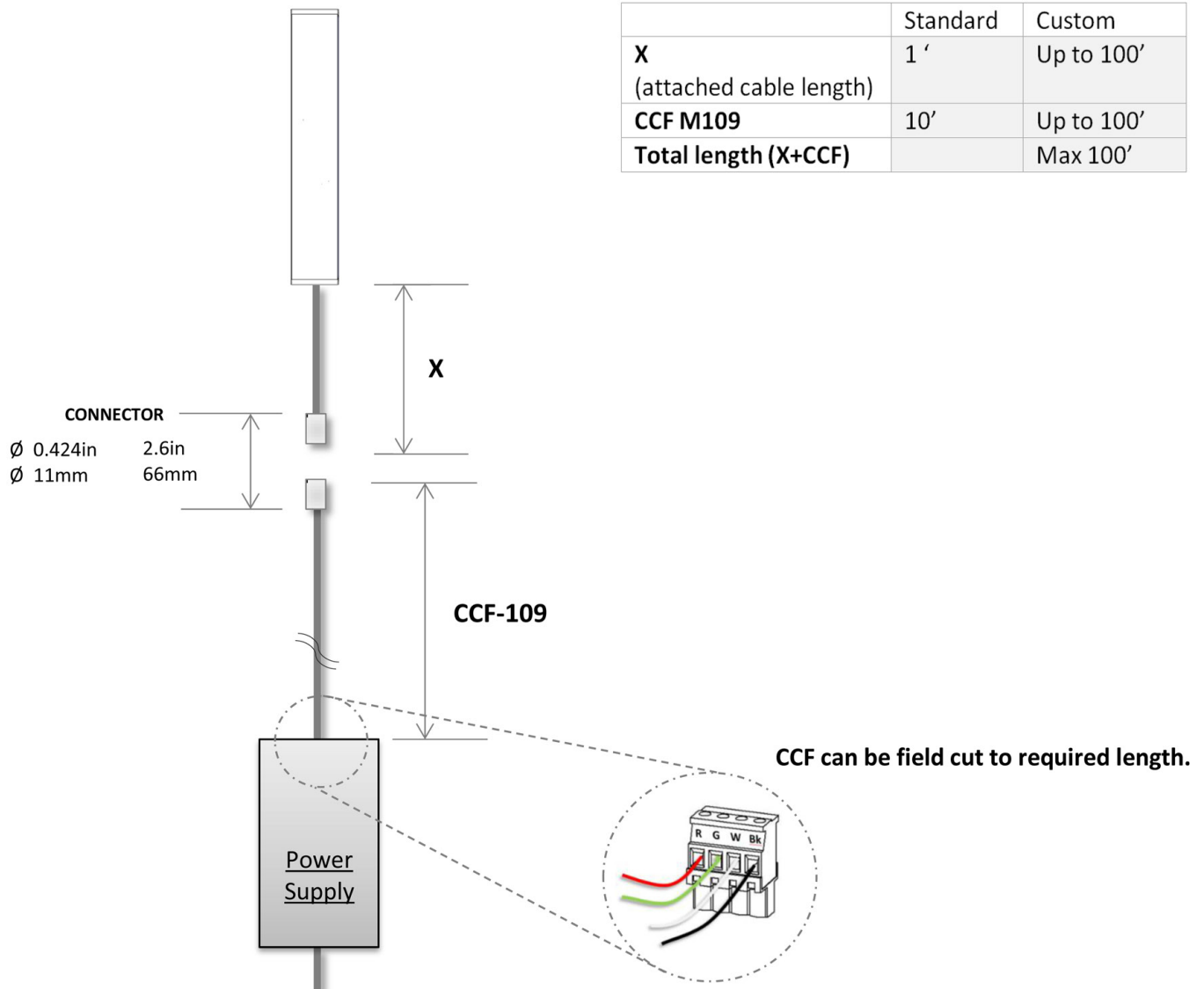
The length can be custom ordered up to a continuous 96 inches in 2 inch increments.



CABLE CONFIGURATION / LENGTH INFO

The M109 lamp comes with a standard connection length of 1 foot including a female connector for trouble-free linking between power source and lamp (Indicated by X in the figure below.). The lamp can be custom ordered with a connection length up to 100 foot including the connector. The CCF-109 cable comes standard as 10-foot but can be custom ordered to a length up to 100 foot. The CCF-109 comes with a male linkage to connect to the M109 lamp female connector and can be field cut to the required length. The total length of cable between Power supply and lamp is advised to be under 100 feet.

	Standard	Custom
X (attached cable length)	1'	Up to 100'
CCF M109	10'	Up to 100'
Total length (X+CCF)		Max 100'



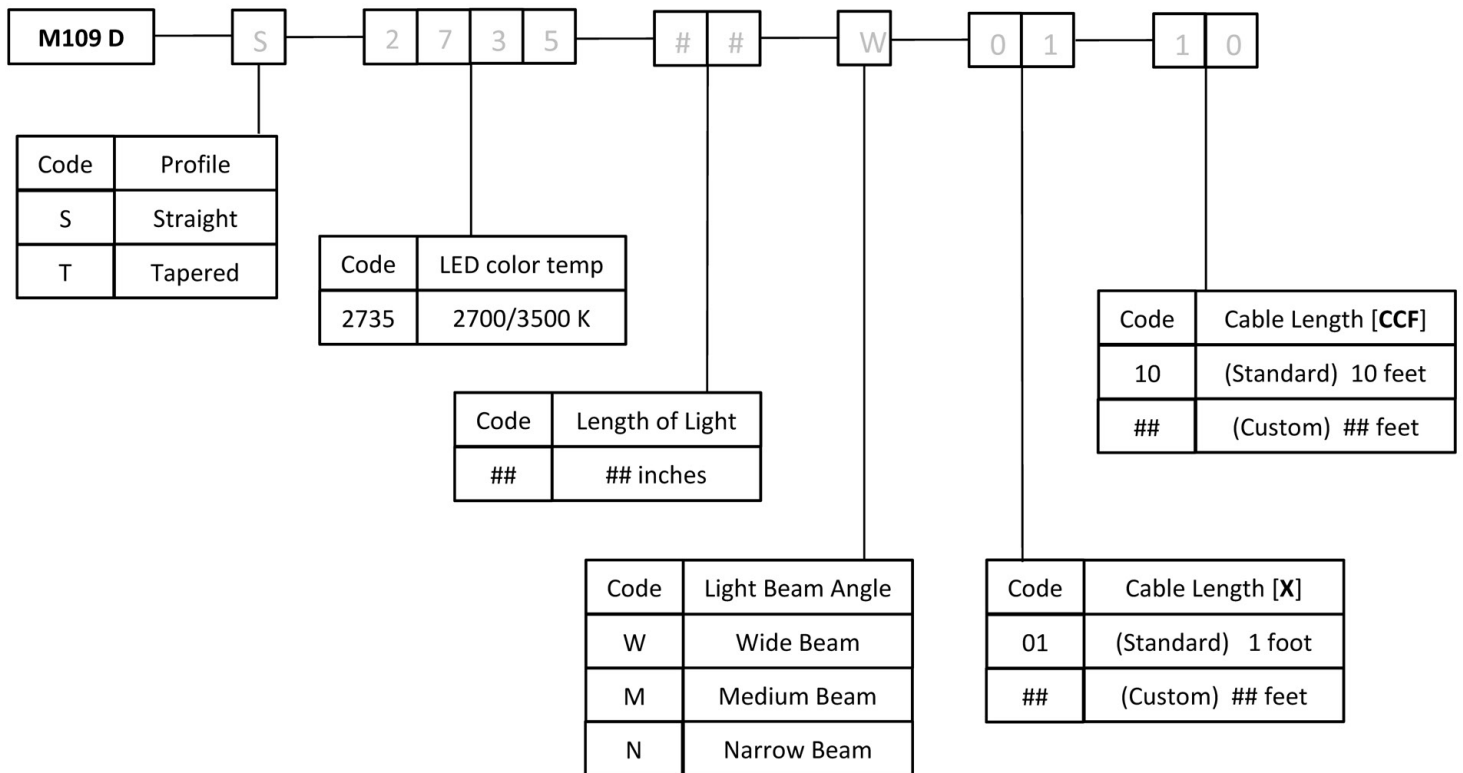


M109 D LINEAR LED LIGHT

Order Information

To order, simply select desired option from each category and place in the appropriate box. Available options are shown and described on the previous pages or in the part numbers catalog. For additional options not shown in the catalog, please contact us.

* Information displayed in gray is standard configuration.



Example: **M109D-T-2735-44-W-05-30**

Product	M109
Style	Tapered
LED Color	2735 K
Length	44 inches
Light Beam	Wide
Cable length (X)	5 feet (On M109)
Connection Cable (CCF)	30 feet (From PS to M109)

